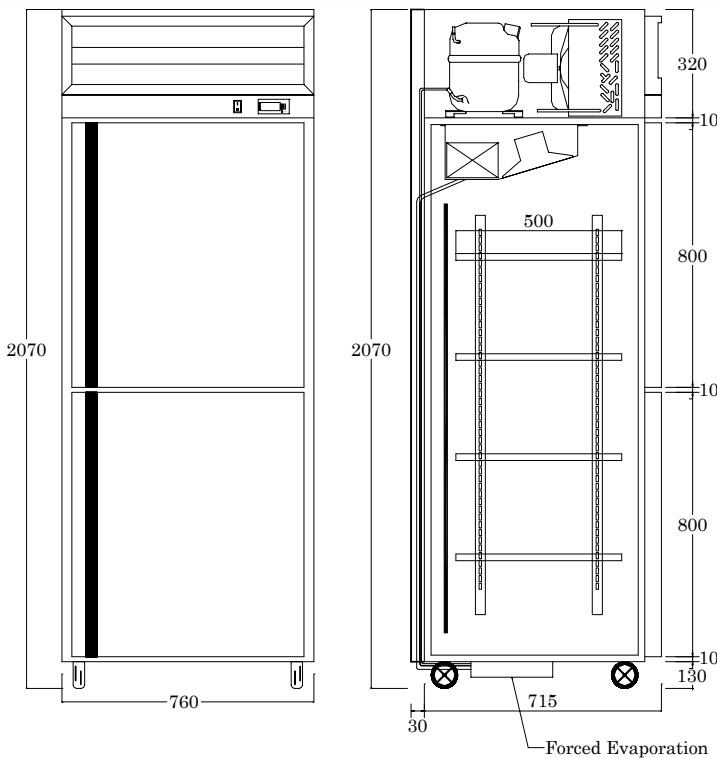




KJA – FR771

Features

1. Forced Evaporation
2. Doors are interchangeable
3. Castors are interchangeable to standard legs
4. Environmental Friendly Refrigerant R134a



PRODUCT NAME		STAINLESS CHILLER			
DESCRIPTION		KJA-FR771			
CABINET	DIMENSIONS		W	D	H
		EXTERNAL	760	715	2070
		INTERNAL			
EXTERIOR		SUS 430			
INTERIOR		SUS 304			
INSULATION		PU			
DOOR		S/S DOORS*2			
COMPRESSOR		SC12G (Danfoss)			
OUTPUT		1569W			
FREON		R134A			
EVAPORATOR		FIN TUBE FORCED CIRCULATION			
FAN		EVAPORATOR FAN : YZF10-20*1 CONDENSOR FAN : 5548152.20W*1			
POWER		220-240V 50/60HZ			
CONTROLLER		TL-550			
CONDENSOR		FIN TUBE FORCED AIR			
COOLING PERFORMANCE		INTERNAL TEMP : 0 ~ 4°C INTERNAL RH : 70~80%			
WEIGHT		130kg			
POWER CONSUMPTION		14.3 KW-hr			

Exclusive Philippine Distributor:

STA. ANA IMPORT EXPORT INC.

3874 Macabulos St., Bangkal, Makati City, Philippines, 1233

Tel Nos. 889-0040, 889-0049, 889-0051, and 843-1322

Fax No. 889-0050

Email: Kinco@eastern.com.ph



KJA – FF771

Features

1. Forced Evaporation
2. Doors are interchangeable
3. Castors are interchangeable to standard legs
4. Environmental Friendly Refrigerant R404a

	PRODUCT NAME		STAINLESS FREEZER		
	DESCRIPTION		KJA-FF771		
<p style="writing-mode: vertical-rl; transform: rotate(180deg);">CABINET</p>	<p style="writing-mode: vertical-rl; transform: rotate(180deg);">DIMENSIONS</p>		W	D	H
		EXTERNAL	760	715	2070
		INTERNAL			
	EXTERIOR	SUS 430			
INTERIOR	SUS 304				
INSULATION	PU				
DOOR	S/S DOORS*2				
<p style="writing-mode: vertical-rl; transform: rotate(180deg);">REFRIGERATION CYCLE</p>	COMPRESSOR	SC15CL (Danfoss)			
	OUTPUT	773W			
	FREON	R404A			
	EVAPORATOR	FIN TUBE FORCED CIRCULATION			
	FAN	EVAPORATOR FAN : YZF10-20*1 CONDENSOR FAN : 5548152,20W*1			
	POWER	220-240V 60HZ			
	CONTROLLER	TL-660			
	CONDENSOR	FIN TUBE FORCED AIR			
COOLING PERFORMANCE	INTERNAL TEMP : -18 ~ -22°C INTERNAL RH : 50~60%				
WEIGHT	130kg				
POWER CONSUMPTION	14.7 KW-hr				

Exclusive Philippine Distributor:

STA. ANA IMPORT EXPORT INC.

3874 Macabulos St., Bangkal, Makati City, Philippines, 1233

Tel Nos. 889-0040, 889-0049, 889-0051, and 843-1322

Fax No. 889-0050

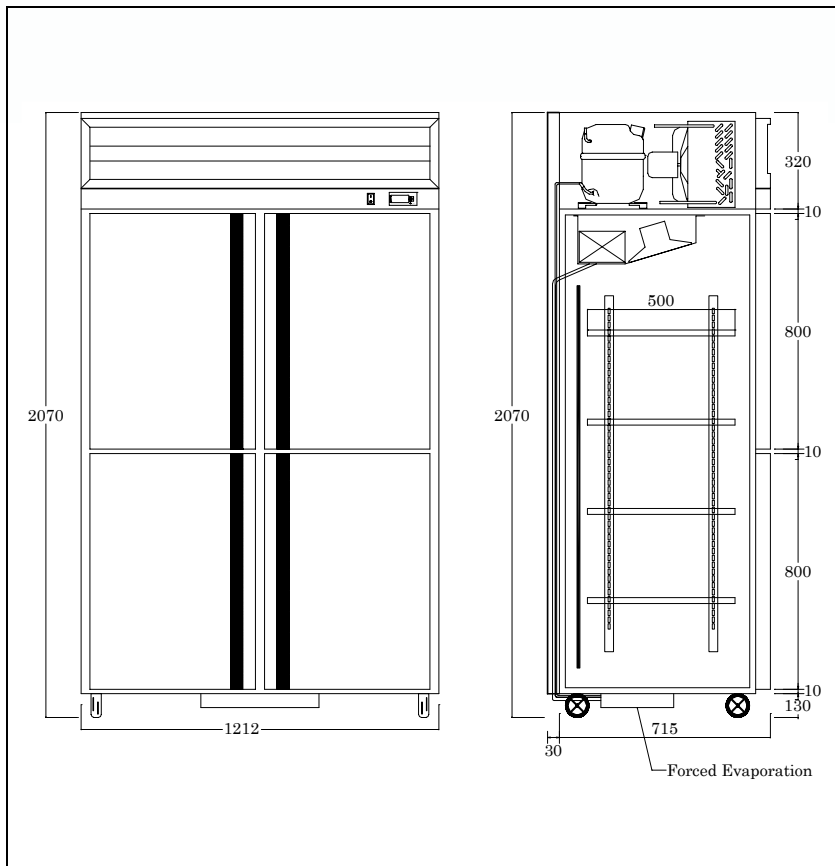
Email: Kinco@eastern.com.ph



KJA – FR1271

Features

1. Forced Evaporation
2. Doors are interchangeable
3. Castors are interchangeable to standard legs
4. Environmental Friendly Refrigerant R134a



PRODUCT NAME		STAINLESS CHILLER		
DESCRIPTION		KJA-FR1271		
DIMENSIONS		W	D	H
	EXTERNAL	1212	715	2070
	INTERNAL			
CABINET	EXTERIOR	SUS 430		
	INTERIOR	SUS 304		
	INSULATION	PU		
	DOOR	S/S DOORS*4		
REFRIGERATION CYCLE	COMPRESSOR	SC15G (Danfoss)		
	OUTPUT	1823W		
	FREON	R134A		
	EVAPORATOR	FIN TUBE FORCED CIRCULATION		
	FAN	EVAPORATOR FAN : YZF10-20*2 CONDENSOR FAN : 5548152,20W*1		
	POWER	220-240V 50/60HZ		
	CONTROLLER	TL-550		
COOLING PERFORMANCE	CONDENSOR	FIN TUBE FORCED AIR		
		INTERNAL TEMP : 0 ~ 4°C INTERNAL RH : 70~80%		
WEIGHT	170kg			
POWER CONSUMPTION	15.1 KW-hr			

Exclusive Philippine Distributor:

STA. ANA IMPORT EXPORT INC.

3874 Macabulos St., Bangkal, Makati City, Philippines, 1233

Tel Nos. 889-0040, 889-0049, 889-0051, and 843-1322

Fax No. 889-0050

Email: Kinco@eastern.com.ph



KJA – FF1271

Features

1. Forced Evaporation
2. Doors are interchangeable
3. Castors are interchangeable to standard legs
4. Environmental Friendly Refrigerant R404a



		PRODUCT NAME STAINLESS FREEZER			
		DESCRIPTION KJA-FF1271			
	DIMENSIONS		W	D	H
		EXTERNAL	1212	715	2070
	INTERNAL				
CABINET	EXTERIOR	SUS 430			
	INTERIOR	SUS 304			
	INSULATION	PU			
	DOOR	S/S DOORS*4			
REFRIGERATION CYCLE	COMPRESSOR	SC21CL (Danfoss)			
	OUTPUT	903W			
	FREON	R404A			
	EVAPORATOR	FIN TUBE FORCED CIRCULATION			
	FAN	EVAPORATOR FAN : YZF10-20*2 CONDENSOR FAN : 5548152,20W*1			
	POWER	220-240V 60HZ			
	CONTROLLER	TL-660			
	CONDENSOR	FIN TUBE FORCED AIR			
COOLING PERFORMANCE	INTERNAL TEMP : -18 ~ -22°C INTERNAL RH : 50~60%				
WEIGHT	170kg				
POWER CONSUMPTION	15.4 KW-hr				

Exclusive Philippine Distributor:

STA. ANA IMPORT EXPORT INC.

3874 Macabulos St., Bangkal, Makati City, Philippines, 1233

Tel Nos. 889-0040, 889-0049, 889-0051, and 843-1322

Fax No. 889-0050

Email: Kinco@eastern.com.ph



KJA – FF1571

Features

1. Forced Evaporation
2. Castors are interchangeable to standard legs
3. Environmental Friendly Refrigerant R404a



		PRODUCT NAME		WORK TOP		
		DESCRIPTION		KJA-FF1571		
CABINET	DIMENSIONS		W	D	H	
		EXTERNAL	1512	715	2045	
		INTERNAL				
	EXTERIOR	SUS 430				
	INTERIOR	SUS 304				
INSULATION	PU					
DOOR	S/S DOORS*4					
REFRIGERATION CYCLE	COMPRESSOR	SC21CL(Danfoss)				
	OUTPUT	903W				
	FREON	R404A				
	EVAPORATOR	FIN TUBE FORCED CIRCULATION				
	FAN	EVAPORATOR FAN : YZF10-20*2 CONDENSOR FAN : 5548152,20W*1				
	POWER	220-240V / 50-60HZ 1phase				
	CONTROLLER	TL-660				
CONDENSOR	FIN TUBE FORCED AIR					
COOLING PERFORMANCE	INTERNAL TEMP : -18~-22°C INTERNAL RH : 50~60%					
WEIGHT	190kg					
POWER CONSUMPTION	15.4 KW-hr					

Exclusive Distributed By :

STA. ANA IMPORT EXPORT INC.

3874-76 Macabulos Street, Bangkal, Makati City 1233
 Tel No. 889-0040, 889-0049, 889-0051, 843-1322, 844-0384
 Email: Kinco@eastern.com.ph



KJA – FR1871

Features

1. Forced Evaporation
2. Doors are interchangeable
3. Castors are interchangeable to standard legs
4. Environmental Friendly Refrigerant R134a

		PRODUCT NAME		STAINLESS CHILLER		
		DESCRIPTION		KJA-FR1871		
CABINET	DIMENSIONS		W	D	H	
		EXTERNAL	1818	715	2070	
		INTERNAL				
REFRIGERATION CYCLE	EXTERIOR	SUS 430				
	INTERIOR	SUS 304				
	INSULATION	PU				
	DOOR	S/S DOORS*6				
	COMPRESSOR	SC21G (Danfoss)				
	OUTPUT	2500W				
	FREON	R134A				
	EVAPORATOR	FIN TUBE FORCED CIRCULATION				
	FAN	EVAPORATOR FAN : YZF10-20*3 CONDENSOR FAN : 5548152,20W*1				
	POWER	220-240V 50/60HZ				
	CONTROLLER	TL-550				
	CONDENSOR	FIN TUBE FORCED AIR				
	COOLING PERFORMANCE	INTERNAL TEMP : 0 ~ -4 °C INTERNAL RH : 70~80%				
WEIGHT	210kg					
POWER CONSUMPTION	16.6 KW-hr					

Exclusive Philippine Distributor:

STA. ANA IMPORT EXPORT INC.

3874 Macabulos St., Bangkal, Makati City, Philippines, 1233

Tel Nos. 889-0040, 889-0049, 889-0051, and 843-1322

Fax No. 889-0050

Email: Kinco@eastern.com.ph

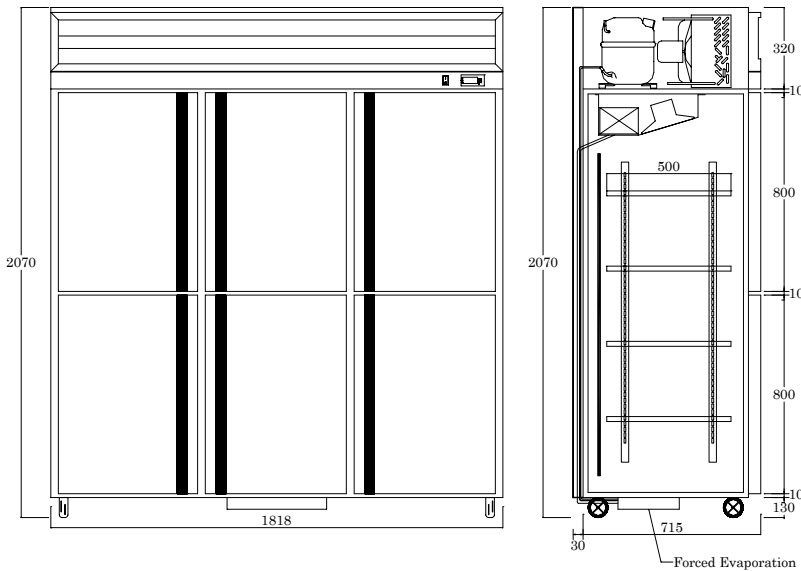


KJA – FF1871

Features

1. Forced Evaporation
2. Doors are interchangeable
3. Castors are interchangeable to standard legs
4. Environmental Friendly Refrigerant R404a

PRODUCT NAME		STAINLESS FREEZER		
DESCRIPTION		KJA-FF1871		
DIMENSIONS		W	D	H
	EXTERNAL	1818	715	2070
	INTERNAL			
CABINET	EXTERIOR	SUS 430		
	INTERIOR	SUS 304		
	INSULATION	PU		
	DOOR	S/S DOORS*6		
REFRIGERATION CYCLE	COMPRESSOR	NJ2192GK (Embraco)		
	OUTPUT	1126W		
	FREON	R404A		
	EVAPORATOR	FIN TUBE FORCED CIRCULATION		
	FAN	EVAPORATOR FAN : YZF10-20*3 CONDENSOR FAN : 5548152,20W*2		
	POWER	220-240V 60HZ		
	CONTROLLER	TL-660		
	CONDENSOR	FIN TUBE FORCED AIR		
COOLING PERFORMANCE	INTERNAL TEMP : -18 ~ -22°C INTERNAL RH : 50~60%			
WEIGHT	210kg			
POWER CONSUMPTION	18.5 KW-hr			



Exclusive Philippine Distributor:

STA. ANA IMPORT EXPORT INC.

3874 Macabulos St., Bangkal, Makati City, Philippines, 1233

Tel Nos. 889-0040, 889-0049, 889-0051, and 843-1322

Fax No. 889-0050

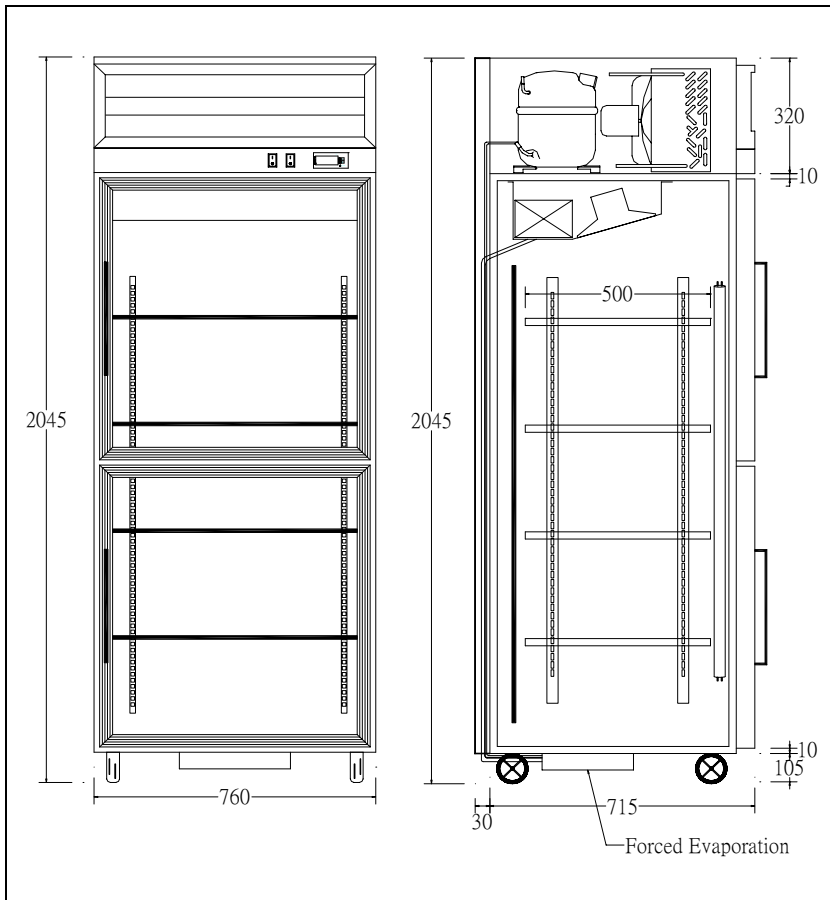
Email: Kinco@eastern.com.ph



KJA – FF771G

Features

1. Forced Evaporation
2. Castors are interchangeable to standard legs
3. Environmental Friendly Refrigerant R404a



PRODUCT NAME		STAINLESS GLASS DOORS FREEZER		
DESCRIPTION		KJA-FF771G		
DIMENSIONS		W	D	H
	EXTERNAL	760	715	2045
	INTERNAL			
CABINET	EXTERIOR	SUS 430		
	INTERIOR	SUS 304		
	INSULATION	PU		
	DOOR	Glass DOORS*2		
REFRIGERATION CYCLE	COMPRESSOR	SC15CL (Danfoss)		
	OUTPUT	773W		
	FREON	R404A		
	EVAPORATOR	FIN TUBE FORCED CIRCULATION		
	FAN	EVAPORATOR FAN : YZF10-20*1 CONDENSOR FAN : 5548152,20W*1		
	POWER	220-240V 5060HZ		
	CONTROLLER	TL-660		
CONDENSOR	FIN TUBE FORCED AIR			
COOLING PERFORMANCE	INTERNAL TEMP : -18 ~ -22°C INTERNAL RH : 50~60%			
WEIGHT	130kg			
POWER CONSUMPTION	18.3 KW-hr			

Exclusive Philippine Distributor:

STA. ANA IMPORT EXPORT INC.

3874 Macabulos St., Bangkal, Makati City, Philippines, 1233

Tel Nos. 889-0040, 889-0049, 889-0051, and 843-1322

Fax No. 889-0050

Email: Kinco@eastern.com.ph



KJA – FF1271G

Features

1. Forced Evaporation
2. Castors are interchangeable to standard legs
3. Environmental Friendly Refrigerant R404a



		PRODUCT NAME		STAINLESS GLASS DOORS FREEZER		
		DESCRIPTION		KJA-FF1271G		
CABINET		DIMENSIONS		W	D	H
			EXTERNAL	1212	715	2045
			INTERNAL			
REFRIGERATION CYCLE		EXTERIOR	SUS 430			
		INTERIOR	SUS 304			
		INSULATION	PU			
		DOOR	Glass DOORS*4			
REFRIGERATION CYCLE		COMPRESSOR	SC21CL (Danfoss)			
		OUTPUT	903W			
		FREON	R404A			
		EVAPORATOR	FIN TUBE FORCED CIRCULATION			
		FAN	EVAPORATOR FAN : YZF10-20*2 CONDENSOR FAN : 5548152,20W*1			
		POWER	220-240V 5060HZ			
		CONTROLLER	TL-660			
COOLING PERFORMANCE		CONDENSOR	FIN TUBE FORCED AIR			
		INTERNAL TEMP :	-18 ~ -22°C			
WEIGHT		INTERNAL RH :	50~60%			
		POWER CONSUMPTION	19.1 KW-hr			

Exclusive Philippine Distributor:

STA. ANA IMPORT EXPORT INC.

3874 Macabulos St., Bangkal, Makati City, Philippines, 1233

Tel Nos. 889-0040, 889-0049, 889-0051, and 843-1322

Fax No. 889-0050

Email: Kinco@eastern.com.ph



KJA – FR1271G

Features

1. Forced Evaporation
2. Castors are interchangeable to standard legs
3. Environmental Friendly Refrigerant R134a



	PRODUCT NAME		STAINLESS GLASS DOORS CHILLER		
	DESCRIPTION		KJA-FR1271G		
	DIMENSIONS		W	D	H
		EXTERNAL	1212	715	2045
	INTERNAL				
	CABINET	EXTERIOR	SUS 430		
		INTERIOR	SUS 304		
		INSULATION	PU		
		DOOR	Glass DOORS*4		
	REFRIGERATION CYCLE	COMPRESSOR	SC15G (Danfoss)		
		OUTPUT	1823W		
		FREON	R134A		
		EVAPORATOR	FIN TUBE FORCED CIRCULATION		
		FAN	EVAPORATOR FAN : YZF10-20*2 CONDENSOR FAN : 5548152,20W*1		
		POWER	220-240V 50/60HZ		
	CONTROLLER	TL-550			
	CONDENSOR	FIN TUBE FORCED AIR			
	COOLING PERFORMANCE	INTERNAL TEMP : 0 ~ 4°C INTERNAL RH : 70~80%			
	WEIGHT	170kg			
	POWER CONSUMPTION	18.5 KW-hr			

Exclusive Philippine Distributor:

STA. ANA IMPORT EXPORT INC.

3874 Macabulos St., Bangkal, Makati City, Philippines, 1233

Tel Nos. 889-0040, 889-0049, 889-0051, and 843-1322

Fax No. 889-0050

Email: Kinco@eastern.com.ph