

PRODUCT NAME		CONFECTIONERY SHOWCASE			
DESCRIPTION		CNZ-90 ( Cold)			
CABINET	DIMENSIONS		W	D	H
		EXTERNAL	900	510	860
		INTERNAL			
EXTERIOR		Color Panel / Stainless			
INTERIOR		Glass			
SHELVE		Glass * 2 PLUS Base			
DOOR		Sliding Glass Door * 2			
REFRIGERATION CYCLE	COMPRESSOR	SC18G Danfoss			
	OUTPUT	7300 BTU			
	FREON	R134A			
	EVAPORATOR	FIN TUBE FORCED CIRCULATION			
	FAN	EVAPORATOR FAN : YZF10-20*1 CONDENSOR FAN : 5548152,20W*1			
	POWER	220-240V 50/60HZ			
	CONTROLLER	TL-550			
CONDENSOR		FIN TUBE FORCED AIR			
COOLING PERFORMANCE		INTERNAL TEMP : 3 ~ 6°C INTERNAL RH : 70~80%			
WEIGHT		150 Kgs			
PRICE FOB MANILA					

**Exclusive Philippine Distributor:**

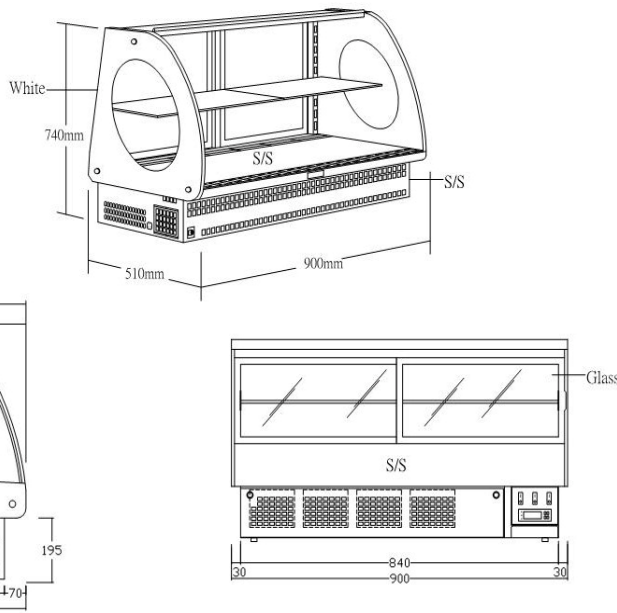
**STA. ANA IMPORT EXPORT INC.**

3874 Macabulos St., Bangkal, Makati City, Philippines, 1233

Tel Nos. 889-0040, 889-0049, 889-0051, and 843-1322

Fax No. 889-0050

Email: Kinco@eastern.com.ph



PRODUCT NAME		COUNTER TOP SHOWCASE			
DESCRIPTION		KTH-90 ( Cold)			
CABINET	DIMENSIONS		W	D	H
		EXTERNAL	900	510	740
		INTERNAL			
EXTERIOR		Color Panel □			
INTERIOR		Glass			
SHELVE		Glass * 1 PLUS Base			
DOOR		Sliding Glass Door * 2			
REFRIGERATION CYCLE	COMPRESSOR	SC18G Danfoss			
	OUTPUT	7300 BTU			
	FREON	R134A			
	EVAPORATOR	FIN TUBE FORCED CIRCULATION			
	FAN	EVAPORATOR FAN : YZF10-20*1 CONDENSOR FAN : 5548152,20W*1			
	POWER	220-240V 50/60HZ			
	CONTROLLER	TL-550			
CONDENSOR		FIN TUBE FORCED AIR			
COOLING PERFORMANCE		INTERNAL TEMP : 3 ~ 6°C INTERNAL RH : 70~80%			
WEIGHT		120 Kgs			
PRICE FOB MANILA					

**Exclusive Philippine Distributor:**

**STA. ANA IMPORT EXPORT INC.**

3874 Macabulos St., Bangkal, Makati City, Philippines, 1233

Tel Nos. 889-0040, 889-0049, 889-0051, and 843-1322

Fax No. 889-0050

Email: Kinco@eastern.com.ph



	<b>PRODUCT NAME</b> COUNTER TOP HOT SHOWCASE				
	<b>DESCRIPTION</b> CNZ-90 (HOT)				
<b>CABINET</b>	<b>DIMENSIONS</b>	<b>EXTERNAL</b>	W	D	H
		<b>INTERNAL</b>	900	510	750
		<b>EXTERIOR</b>	Color Panel □		
	<b>INTERIOR</b>	Glass			
<b>SHELVE</b>	Glass * 2 PLUS Base				
<b>DOOR</b>	Sliding Glass Door * 2				
<b>HEATING CYCLE</b>	<b>OUTPUT</b>				
	<b>FAN</b>	FAN : 5548152,20W*1			
	<b>POWER</b>	220-240V 50/60HZ			
	<b>CONTROLLER</b>	THERMOSTAT			
	<b>CONDENSOR</b>	FIN TUBE FORCED AIR			
<b>HEATING PERFORMANCE</b>	INTERNAL TEMP : 65 °C				
<b>WEIGHT</b>	110 Kgs				
<b>PRICE FOB MANILA</b>					

**Exclusive Philippine Distributor:**

**STA. ANA IMPORT EXPORT INC.**

3874 Macabulos St., Bangkal, Makati City, Philippines, 1233

Tel Nos. 889-0040, 889-0049, 889-0051, and 843-1322

Fax No. 889-0050

Email: Kinco@eastern.com.ph



		PRODUCT NAME		CONFECTIONERY SHOWCASE		
		DESCRIPTION		C3-120 / 180		
CABINET	DIMENSIONS		W	D	H	
		EXTERNAL	120 / 180	700	1170	
	INTERNAL					
CABINET	EXTERIOR	SS and Glass				
	INTERIOR	Glass				
	SHELVE	Glass * 2 PLUS Base				
	DOOR	Sliding Glass Door * 2				
REFRIGERATION CYCLE	COMPRESSOR	SC18G Danfoss				
	OUTPUT	7300 / 8100 BTU				
	FREON	R134A				
	EVAPORATOR	FIN TUBE FORCED CIRCULATION				
	FAN	EVAPORATOR FAN : YZF10-20*1 CONDENSOR FAN : 5548152,20W*1				
	POWER	220-240V 50/60HZ				
	CONTROLLER	TL-550				
	CONDENSOR	FIN TUBE FORCED AIR				
COOLING PERFORMANCE		INTERNAL TEMP : 3 ~ 6°C INTERNAL RH : 70~80%				
WEIGHT		150 / 170 Kgs				
PRICE FOB MANILA						

**Exclusive Philippine Distributor:**

**STA. ANA IMPORT EXPORT INC.**

3874 Macabulos St., Bangkal, Makati City, Philippines, 1233

Tel Nos. 889-0040, 889-0049, 889-0051, and 843-1322

Fax No. 889-0050

Email: Kinco@eastern.com.ph



# Refrigerated and Ambient



	PRODUCT NAME		CONFECTIONERY SHOWCASE		
	DESCRIPTION		RZ3-150C ( Half Refrigerated/Ambient)		
<b>CABINET</b>	<b>DIMENSIONS</b>		W	D	H
		EXTERNAL	150	700	1210
		INTERNAL			
	EXTERIOR	S/S and Glass			
	INTERIOR	Glass			
<b>REFRIGERATION CYCLE</b>	SHELVE	Glass * 2 PLUS Base			
	DOOR	Sliding Glass Door * 2			
	COMPRESSOR	SG18G ( Danfoss)			
	OUTPUT	7300 BTU			
	FREON	R134A			
	EVAPORATOR	FIN TUBE FORCED CIRCULATION			
	FAN	EVAPORATOR FAN : YZF10-20*1 CONDENSOR FAN : 5548152,20W*1			
	POWER	220-240V 50/60HZ			
CONTROLLER	TL-550				
CONDENSOR	FIN TUBE FORCED AIR				
COOLING PERFORMANCE	INTERNAL TEMP : 3 ~ 6°C INTERNAL RH : 70~80%				
WEIGHT	145 Kgs				
PRICE FOB MANILA					

**Exclusive Philippine Distributor:**

## **STA. ANA IMPORT EXPORT INC.**

3874 Macabulos St., Bangkal, Makati City, Philippines, 1233

Tel Nos. 889-0040, 889-0049, 889-0051, and 843-1322

Fax No. 889-0050

Email: Kinco@eastern.com.ph



All Refrigerated



		PRODUCT NAME		CONFECTIONERY SHOWCASE		
		DESCRIPTION		RZ3-180 All Refrigerated		
CABINET	DIMENSIONS		W	D	H	
		EXTERNAL	1800	700	1210	
	INTERNAL					
	EXTERIOR	S/S and Glass				
	INTERIOR	Glass				
	SHELVE	Glass * 2 PLUS Base				
	DOOR	Sliding Glass Door * 2				
REFRIGERATION CYCLE	COMPRESSOR	T6220GK Embraco				
	OUTPUT	8100 BTU				
	FREON	R134A				
	EVAPORATOR	FIN TUBE FORCED CIRCULATION				
	FAN	EVAPORATOR FAN : YZF10-20*1 CONDENSOR FAN : 5548152,20W*1				
	POWER	220-240V 50/60HZ				
	CONTROLLER	TL-550				
	CONDENSOR	FIN TUBE FORCED AIR				
	COOLING PERFORMANCE	INTERNAL TEMP : 3 ~ 6°C INTERNAL RH : 70~80%				
	WEIGHT	175 Kgs				
	PRICE FOB MANILA					

Exclusive Philippine Distributor:

**STA. ANA IMPORT EXPORT INC.**

3874 Macabulos St., Bangkal, Makati City, Philippines, 1233

Tel Nos. 889-0040, 889-0049, 889-0051, and 843-1322

Fax No. 889-0050

Email: Kinco@eastern.com.ph



# Refrigerated and Ambient Showcase



		PRODUCT NAME		CONFECTIONERY SHOWCASE	
		DESCRIPTION		RZ4-150C	
CABINET	DIMENSIONS		W	D	H
		EXTERNAL	150	700	1350
	INTERNAL				
	EXTERIOR	S/S and Glass			
	INTERIOR	Glass			
	SHELVE	Glass * 3 PLUS Base			
	DOOR	Sliding Glass Door * 2			
REFRIGERATION CYCLE	COMPRESSOR	SC18G Danfoss			
	OUTPUT	7300 BTU			
	FREON	R134A			
	EVAPORATOR	FIN TUBE FORCED CIRCULATION			
	FAN	EVAPORATOR FAN : YZF10-20*1 CONDENSOR FAN : 5548152,20W*1			
	POWER	220-240V 50/60HZ			
	CONTROLLER	TL-550			
	CONDENSOR	FIN TUBE FORCED AIR			
COOLING PERFORMANCE		INTERNAL TEMP : 3 ~ 6°C INTERNAL RH : 70~80%			
WEIGHT		160 Kgs			
PRICE FOB MANILA					

**Exclusive Philippine Distributor:**

## **STA. ANA IMPORT EXPORT INC.**

3874 Macabulos St., Bangkal, Makati City, Philippines, 1233

Tel Nos. 889-0040, 889-0049, 889-0051, and 843-1322

Fax No. 889-0050

Email: [Kinco@eastern.com.ph](mailto:Kinco@eastern.com.ph)



All Refrigerated 4, 5 and 6 Feet



		PRODUCT NAME		CONFECTIONERY SHOWCASE	
		DESCRIPTION		RZ4-120 / 150 / 180	
CABINET	DIMENSIONS		W	D	H
		EXTERNAL	120 / 150 / 180	700	1350
		INTERNAL			
	EXTERIOR	S/S and Glass			
	INTERIOR	Glass			
	SHELVE	Glass * 3 PLUS Base			
	DOOR	Sliding Glass Door * 2			
REFRIGERATION CYCLE	COMPRESSOR	6220GK / 6222GK EMBRACO			
	OUTPUT	8100 / 9800 BTU			
	FREON	R134A			
	EVAPORATOR	FIN TUBE FORCED CIRCULATION			
	FAN	EVAPORATOR FAN : YZF10-20*1 CONDENSOR FAN : 5548152,20W*1			
	POWER	220-240V 50/60HZ			
	CONTROLLER	TL-550			
CONDENSOR	FIN TUBE FORCED AIR				
COOLING PERFORMANCE		INTERNAL TEMP : 3 ~ 6°C INTERNAL RH : 70~80%			
WEIGHT		130 / 145 / 165 Kgs			
PRICE FOB MANILA					

Exclusive Philippine Distributor:

**STA. ANA IMPORT EXPORT INC.**

3874 Macabulos St., Bangkal, Makati City, Philippines, 1233

Tel Nos. 889-0040, 889-0049, 889-0051, and 843-1322

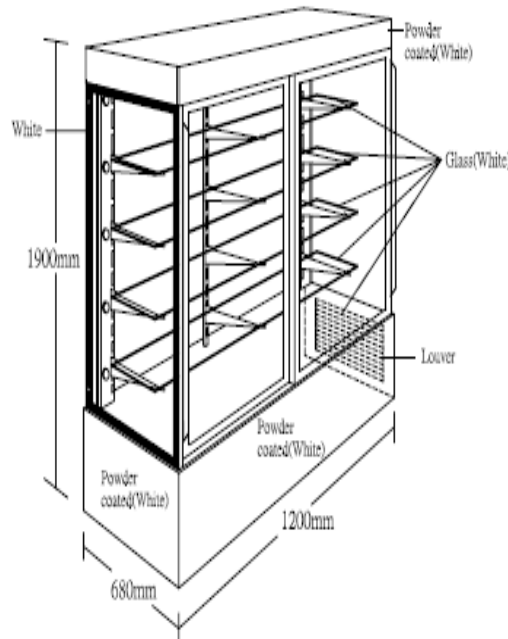
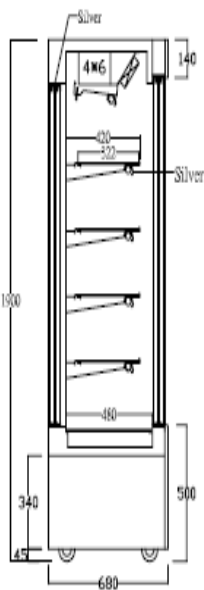
Fax No. 889-0050

Email: Kinco@eastern.com.ph





# Front and Rear Sliding Doors



PRODUCT NAME		CONFECTIONERY SHOWCASE		
DESCRIPTION		C5-120FB		
DIMENSIONS		W	D	H
	EXTERNAL	120	680	1900
	INTERNAL			
CABINET	EXTERIOR	Color Panel and Glass		
	INTERIOR	Glass		
	SHELVE	Glass * 4 PLUS Base		
	DOOR	Sliding Glass Door * 4 ( Front □Rear)		
REFRIGERATION CYCLE	COMPRESSOR	SC18G Danfoss		
	OUTPUT	7300 BTU		
	FREON	R134A		
	EVAPORATOR	FIN TUBE FORCED CIRCULATION		
	FAN	EVAPORATOR FAN : YZF10-20*1 CONDENSOR FAN : 5548152,20W*1		
	POWER	220-240V 50/60HZ		
	CONTROLLER	TL-550		
	CONDENSOR	FIN TUBE FORCED AIR		
COOLING PERFORMANCE	INTERNAL TEMP : 3 ~ 6°C INTERNAL RH : 70~80%			
WEIGHT	150 Kgs			
PRICE FOB MANILA				

**Exclusive Philippine Distributor:**

## **STA. ANA IMPORT EXPORT INC.**

3874 Macabulos St., Bangkal, Makati City, Philippines, 1233

Tel Nos. 889-0040, 889-0049, 889-0051, and 843-1322

Fax No. 889-0050

Email: [Kinco@eastern.com.ph](mailto:Kinco@eastern.com.ph)



		PRODUCT NAME		CONFECTIONERY SHOWCASE		
		DESCRIPTION		SK3-120		
CABINET	DIMENSIONS		W	D	H	
		EXTERNAL	120	900	1630	
		INTERNAL				
CABINET	EXTERIOR	SS and Glass				
	INTERIOR	Glass				
CABINET	SHELVE	Glass * 1 PLUS Base				
	DOOR	Sliding Glass Door * 2				
REFRIGERATION CYCLE	COMPRESSOR	SC18G and SC15G Danfoss				
	OUTPUT	7300 BTU				
	FREON	R134A				
	EVAPORATOR	FIN TUBE FORCED CIRCULATION				
	FAN	EVAPORATOR FAN : YZF10-20*1 CONDENSOR FAN : 5548152,20W*1				
	POWER	220-240V 50/60HZ				
	CONTROLLER	TL-550				
	CONDENSOR	FIN TUBE FORCED AIR				
COOLING PERFORMANCE		INTERNAL TEMP : 3 ~ 6°C INTERNAL RH : 70~80%				
WEIGHT		180 Kgs				
PRICE FOB MANILA						

**Exclusive Philippine Distributor:**

**STA. ANA IMPORT EXPORT INC.**

3874 Macabulos St., Bangkal, Makati City, Philippines, 1233

Tel Nos. 889-0040, 889-0049, 889-0051, and 843-1322

Fax No. 889-0050

Email: Kinco@eastern.com.ph