

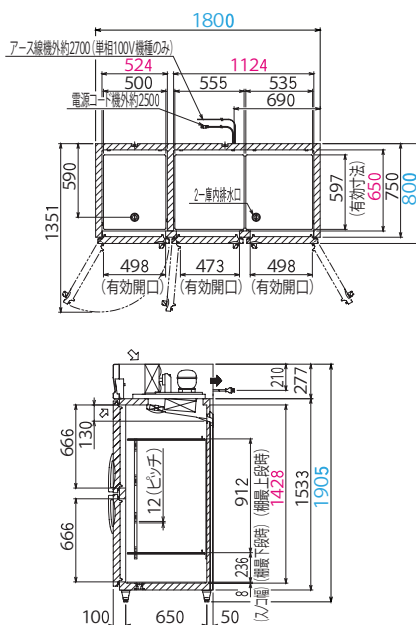


623SS-EC

6-Door Stainless Steel Freezer
Inverter
Made in Japan



ENERGY-SAVING
EFF 3350kwh/year



⇨ : 吸気 ⇨ : 排気

Product Name	6-Door Stainless Freezer		
Dimensions	W	D	H
External	1800	800	1905
Cabinet			
Exterior	SUS 430 w/ coating		
Interior	Hard Plastic		
Insulation	PU		
Door	Stainless x6		
Refrigeration Cycle			
Compressor	Right: Hitachi / Left: Panasonic		
Output	963W		
Freon	Right: R404 / Left: R134A		
Evaporator	Fin Tube Forced Circulation		
Fan	Evaporator Fan: S12DX10W*2 Condenser Fan: N15104-200V*3		
Power	220V, 3-Phase		
Controller	Electronic		
Condensor	Fin Tube Forced Air		
Cooling Performance	Internal Temp: -20 to -15C		
Weight	207kg		

Exclusive Philippine Distributor:

STA. ANA IMPORT EXPORT, INC.

Confectionery showcases, commercial refrigerators and freezers

3874 Macabulos Street, Bangkal, Makati City, Philippines 1233

(+632) 8843-1322, 8844-8204, 8889-0040, 889-0049,
8889-0051

www.staana.net

