

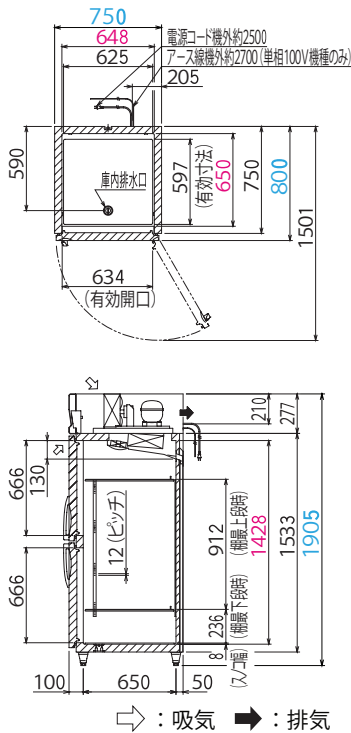


221LCD-EC

2-Door Stainless Steel Chiller
Inverter
Made in Japan



ENERGY-SAVING
EFF 470kwh/year



Product Name	2-Door Stainless Chiller		
Dimensions	W	D	H
External	750	800	1905
Cabinet			
Exterior	SUS 430 w/ coating		
Interior	Hard Plastic		
Insulation	PU		
Door	Stainless x2		
Refrigeration Cycle			
Compressor	Hitachi		
Output	328W		
Freon	R404		
Evaporator	Fin Tube Forced Circulation		
Fan	Evaporator Fan: S12DX10W*1 Condensor Fan: N15103-200V*1		
Power	220-240V 50/60Hz by Transformer		
Controller	Electronic		
Condensor	Fin Tube Forced Air		
Cooling Performance	Internal Temp: -5 to 12C Internal RH: 70-80%		
Weight	95kg		

Exclusive Philippine Distributor:

STA. ANA IMPORT EXPORT, INC.

Confectionery showcases, commercial refrigerators and freezers

3874 Macabulos Street, Bangkal, Makati City, Philippines 1233

(+632) 8843-1322, 8844-8204, 8889-0040, 889-0049,
8889-0051

www.staana.net

